

Model

Designation	SC15CNX.2	220-240V/50Hz 1~	Sales code:	104H8566
-------------	------------------	------------------	-------------	-----------------

Compressor design

Oil type	Polyolester	Refrigerant(s)	R290
Oil viscosity	22cST	Displacement	15,28cm ³ / 0,93cu.in
Oil quantity	500cm ³ / 16,9fl.oz	Compressors on pallet	80
Refr. charge - tech. limit	150g / 5,3oz		
Free gas volume comp.	1410cm ³ / 47,7fl.oz		
Weight	13,1kg / 28,9lbs		
Motor protection	1# internal		
Winding resistance main	5,13Ω (at 25°C)		
Winding resistance aux	13,51Ω (at 25°C)		
Max. winding temp.	125°C / 257°F		
Max. discharge temp.	130°C / 266°F		



General - Configurations with SC15CNX.2

	Conf. 1
Motorconfiguration	CSIR
Power supply (nominal)	220-240V/50Hz
Number of phases	1
Voltage range	198-254V
Approvals	VDE, CCC
Starting torque	HST
Note	- / -

Applications with SC15CNX.2

	Conf. 1
Refrigerant	R290
Application	LBP
System cooling	fan 3m/s
Hot gas defrost	OK
Long interval pull down	OK

Electrical data - Configurations with SC15CNX.2

	Conf. 1
Starting device type	relay
Run capacitor	-/-
Start capacitor	80μF
LRA (locked rotor amps / 4s)	16,2A
RLA (rated load amps / 1s)	3,1A
Cut in current	16,2A

Model

Designation

SC15CNX.2

220-240V/50Hz 1~

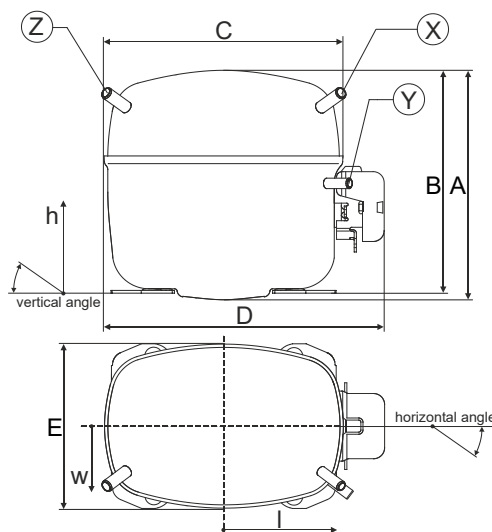
Sales code:

104H8566

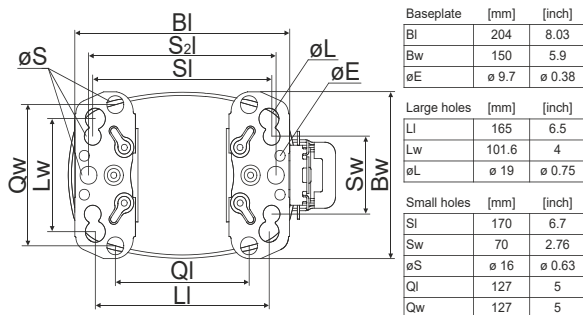
Compressor dimensions

Housing	A Height	209mm / 8,23in
	B Height	203mm / 7,99in
	C Length shell	218mm / 8,58in
	D Length w. cover	255mm / 10,04in
	E Width	151mm / 5,94in

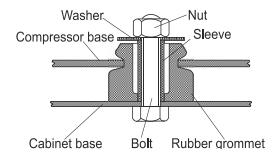
Connectors		Suction	Discharge	Process
		X	Y	Z
Diameter	[mm]	ø 8,11-8,29	ø 6,11-6,29	ø 6,11-6,29
	(i:inside, o:outside) [in]	ø 0,32-0,33	ø 0,24-0,25	ø 0,24-0,25
Material		copper	copper	copper
Horizontal angle	±2°	37°	37°	143°
Vertical angle	±2°	30°	0°	150°
Position l/h/w	[mm]	107/183/55	115/100/63	-107/183/55
	[in]	4,2/7,2/2,2	4,5/3,9/2,5	-4,2/7,2/2,2
Straight tube l.	[mm]	12	12	12
	[in]	0,5	0,5	0,5



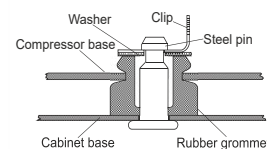
Compressor fixation



Bolt joint



Snap-on



Mounting accessories

	one comp.	multi pack
Bolt joint M6 ø16mm	118-1917	118-1918
Bolt joint ø1/4" ø16mm	118-1946	
Bolt joint ø1/4" ø19mm	118-1949	
Snap-on ø7,3 ø16mm	118-1947	118-1919

Application notes

Provision for PE Grounding is located at the PE Stamp on the compressor

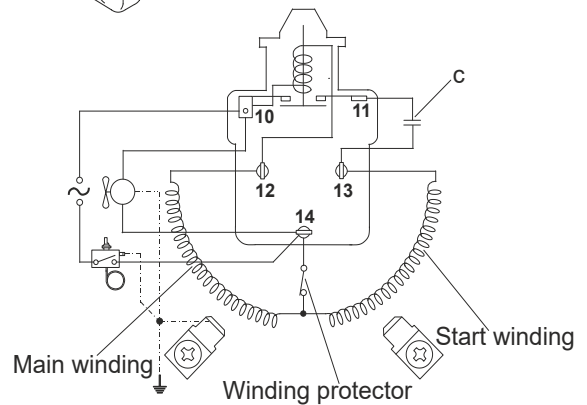
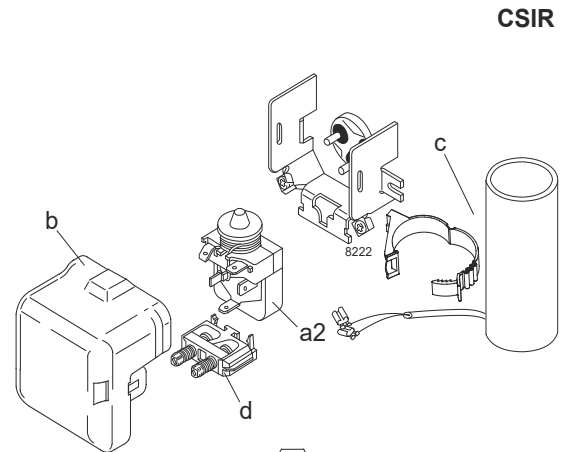
Model

Designation	SC15CNX.2	220-240V/50Hz	Conf. 1	Sales code:	104H8566
-------------	------------------	----------------------	----------------	-------------	-----------------

Configuration

Motorconfiguration	CSIR
Power supply (nominal)	220-240V/50Hz 1~
Refrigerant	R290
Application	LBP
Voltage range	198-254V
Starting torque	HST
Approvals	VDE CCC

Electrical accessories / wiring diagram

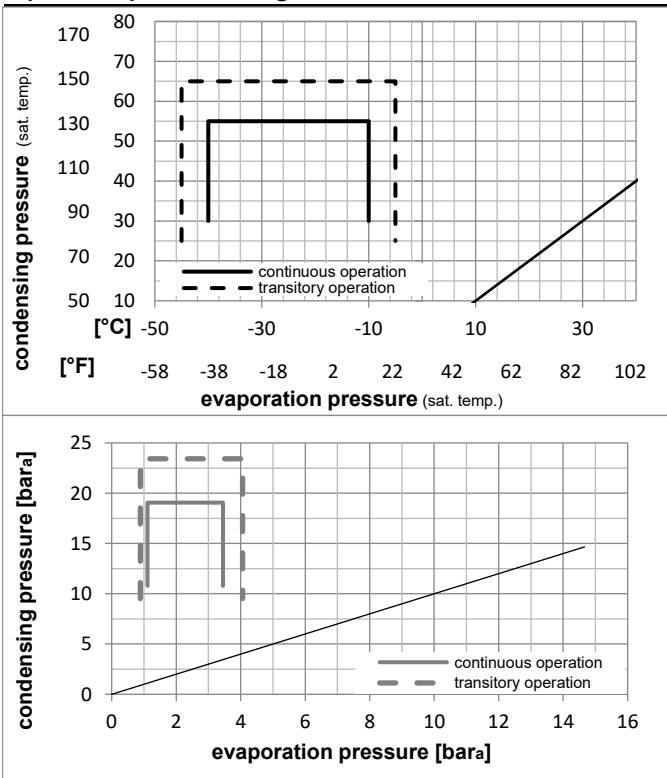


Ambient/ machine room temperatures minimum /maximum

Ambient temperature range:	10 - 43°C / 50 - 110°F
Machine room temperature range:	10 - 48°C / 50 - 119°F
Compressor cooling:	fan 3m/s

Operation Limits

Operation pressure range



Components

a2	relay	117U7005
c	start capacitor (80µF)	117U5017
d	cord relief	103N1004
b	plastic cover	103N2009

Alternative components

a2	relay	117U7005
c	start capacitor (80µF)	117U5017
d	cord relief	103N1004
b	plastic cover	103N2008

Model

Designation **SC15CNX.2** **220-240V/50Hz** Conf. 1 Sales code: **104H8566**

Optimization + standard conditions

R290, 220V/50Hz, CSIR, fan 3m/s, VDE, CCC

		Evaporating pressure (saturation temperature)				Condensing pressure (saturation temperature)			Return gas temp.			Liquid temp.			Cooling capacity			COP	EER	Power consumption			
		pe	pc	RGT	Tliq	[W]	[Btu/h]	[kcal/h]	[W/W]	[Btu/Wh]	[kcal/Wh]	P1	I	Ref. mass flow									
[°C]	[°F]	[°C]	[°F]	[°C]	[°F]							[W]	[A]	[kg/h]									
-23	-10	54	130	32	90	622,7	2126	535,9	1,32	4,50	1,13	472,4	2,95	6,31								ASHRAE LBP	
-25	-13	55	131	32	90	464,2	1585	399,5	1,02	3,47	0,87	456,6	2,89	5,78								cecomaf LBP	
-35	-31	40	104	20	68	352,3	1203	303,2	1,00	3,40	0,86	354,0	2,53	4,02								EN12900 LBP	
-23	-10	49	120	4,4	40	514,0	1755	442,4	1,11	3,79	0,96	463,2	2,89	7,12								ARI540 LBP	
-23	-10	41	105	32	90	699,5	2389	602,0	1,52	5,20	1,31	459,2	2,83	7,08								AHAM LBP	
-35	-31	45	113	32	90	332,1	1134	285,8	0,95	3,23	0,81	350,8	2,52	3,72								opt	

Performance tables

R290, 220V/50Hz, CSIR, fan 3m/s, VDE, CCC

	pe		Cooling capacity			COP	EER	P1	I	m	
	[°C]	[°F]	[W]	[Btu/h]	[kcal/h]	[W/W]	[Btu/Wh]	[kcal/Wh]	[W]	[A]	[kg/h]
[°C / °F]	-40	-40	251,9	860	216,8	0,82	2,79	0,70	308,1	2,41	2,82
cond. pressure	-35	-31	332,1	1134	285,8	0,95	3,23	0,81	350,8	2,52	3,72
pc= 45/113	-30	-22	433,6	1481	373,2	1,09	3,74	0,94	396,4	2,65	4,87
return gas temp.	-25	-13	559,8	1912	481,8	1,26	4,30	1,08	444,9	2,80	6,31
RGT= 32/90	-20	-4	714,0	2438	614,5	1,44	4,91	1,24	496,7	2,98	8,08
liquid temp	-15	5	899,5	3072	774,1	1,63	5,57	1,40	551,8	3,18	10,23
Tliq= 45/113	-10	14	1119,8	3824	963,7	1,83	6,27	1,58	610,4	3,41	12,81
[°C / °F]	-40	-40	219,5	750	188,9	0,66	2,27	0,57	330,3	2,38	2,71
cond. pressure	-35	-31	281,1	960	242,0	0,77	2,62	0,66	366,0	2,53	3,48
pc= 55/131	-30	-22	361,6	1235	311,2	0,89	3,03	0,76	408,0	2,70	4,49
return gas temp	-25	-13	464,2	1585	399,5	1,02	3,47	0,87	456,6	2,89	5,78
RGT= 32/90	-20	-4	592,3	2023	509,7	1,16	3,95	1,00	511,9	3,11	7,41
liquid temp	-15	5	749,2	2559	644,8	1,31	4,46	1,12	574,0	3,35	9,42
Tliq= 55/131	-10	14	938,4	3205	807,6	1,46	4,98	1,26	643,3	3,61	11,87